



Specification Review Data Sheet

Spec Review No.: SR1202014C

Date: Sep. 17, 2014

Customer:

Customer P/N:

Description: Polarization Maintaining Optical Circulator, 1030nm

Optizone P/N: PM CIR-03-1-NNN-BBB-1

Specifications

Parameter	Unit	Values	
Port Type		1X2	2X2
Center Wavelength	nm	1030	
Operating Wavelength Range	nm	±5	
Typ. Isolation	dB	25	
Min. Isolation at 23°C	dB	20	
Typ. Insertion Loss	dB	3,5	
Max. Insertion Loss@-5 to + 50°C	dB	4,2	
Min. Return Loss	dB	50	
Min. Extinction Ratio	dB	20	
Min. Cross Talk	dB	50	
Max. Optical Power (CW)	mW	50	
Max. Tensile Load	N	5	
Fiber Type		PM 980 Panda Fiber	
Operating Temperature	°C	-5 to + 50	
Storage Temperature	°C	-40 to +85	

*Above specifications are for device without connector.

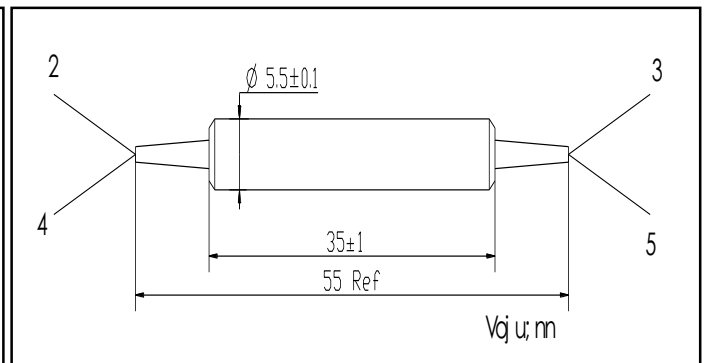
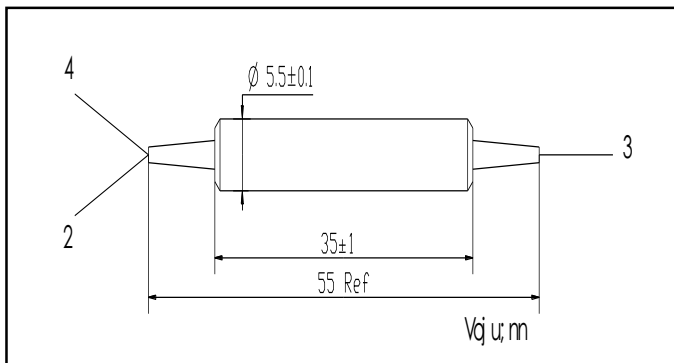
*For devices with connectors, IL will be 0.3dB higher, RL will be 5dB lower and ER will be 2dB lower.

*The transmission optical path of 1x2 type: 1 -> 2, 2 -> 3.

*The transmission optical path of 2x2 type: 1 -> 2, 2 -> 3, 3 -> 4, 4 -> 1.

*The PM fiber and the key are aligned to the slow axis & fast axis is blocked.

Package Dimensions



Ordering Information

PM CIR-①①-②-③③③③-④④④④-⑤

①①: Wavelength

03 - 1030nm

SS - Specify

②: Port

1 - 1x2

2 - 2x2

③③③③: Connector Type on Port 1, 2, 3 & 4

1 - FC/UPC

2 - FC/APC

3 - SC/UPC

4 - SC/APC

N - None

S - Specify

④④④④: Fiber Jacket on Port 1, 2, 3 & 4

B - 250um Bare Fiber

L - 900um Loose Tube

S - Specify

⑤: Fiber Length

1 - 1.0m

S - Specify